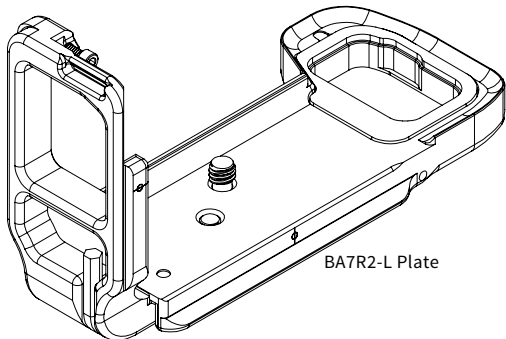




1146 Farmhouse Lane, San Luis Obispo, CA 93401 USA
 1-805-528-6321 | 1-888-777-5557
 www.ReallyRightStuff.com

PLATE FOR SONY a7 II / a7R ii

- BA7R2
- BA7R2-L PLATE



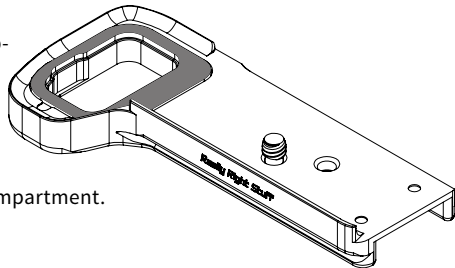
SPECIFICATIONS

BA7R2 Base Plate.....	2.5oz / 72g
BA7R2-L Plate.....	5.3oz / 150g

MODULAR COMPONENTS

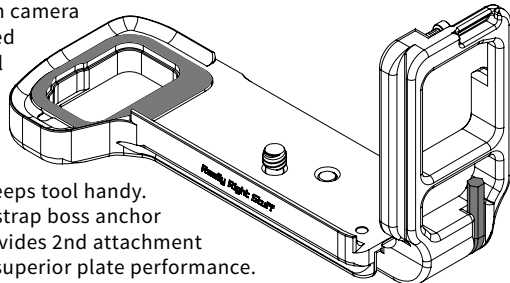
BA7R2

Contoured wrap-around design mates perfectly with camera base. Provides full access to battery/card compartment.



BA7R2-L Plate

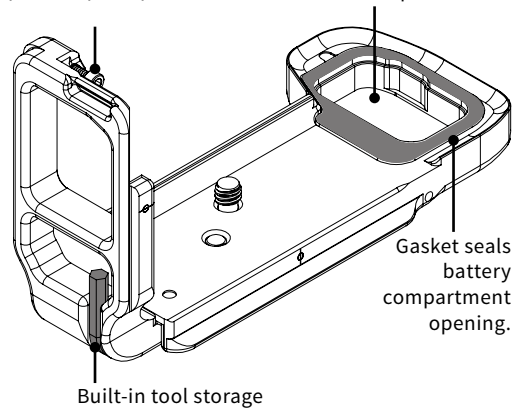
Includes Base + L-Component. The L-component can be shifted away from camera to provided additional port access. Integral hex key storage keeps tool handy. Optional strap boss anchor screw provides 2nd attachment point for superior plate performance.



FEATURES

Optional attachment to strap lug for superior L-plate performance.

Transfer Sony battery compartment door from camera to plate.

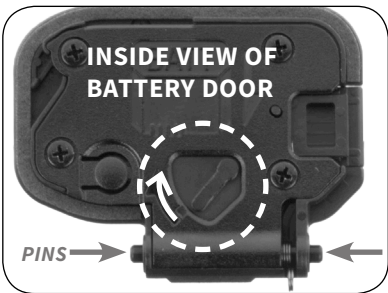


GUARANTEE

ALL REALLY RIGHT STUFF BRAND PRODUCTS ARE GUARANTEED TO THE ORIGINAL PURCHASER TO BE FREE OF DEFECTS IN MATERIALS OR WORKMANSHIP FOR FIVE (5) YEARS FROM THE DATE OF PURCHASE. PRODUCTS WILL BE REPAIRED OR REPLACED AT OUR OPTION.

INSTALLATION

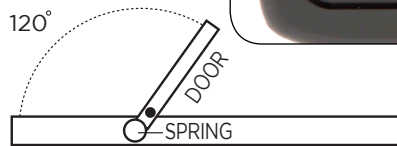
- (a) Open Battery Door on bottom of camera.
(b) On the inside of the Door, press the release lever in the direction of the arrow. This will retract the pins to allow easy removal of the Battery Door. Set Door aside.



- Install plate on the camera.



- (a) Confirm that door pins are still retracted.
(b) Hold the door at a 120° angle to the plate and slide it into place. The angle is important for proper function of the door spring.



- (a) After sliding door into place, press the round release button. This will allow the pins to pop out and lock the door in place.
(b) Open and close the battery door several times to ensure proper fit and function.



L-PLATE ONLY: OPTIONAL ANCHOR BOLT

An optional Anchor Bolt is included so that your L-plate can also be secured to your camera's strap lug. This increases the rigidity of your L-plate for superior performance. But since the Anchor Bolt requires a tool for installation/removal, it's not convenient for users who often remove their L-plate or often slide the L-component away from the side of the camera for better access to the side ports.

- (a) Remove Strap Ring from Strap Lug.



- (b) Push Anchor Bolt through the camera's Strap Lug, then use included hex key to firmly tighten bolt into the L-plate.

