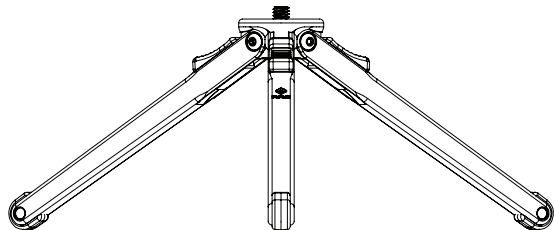




1146 Farmhouse Lane, San Luis Obispo, CA 93401 USA
 1-805-528-6321 | 1-888-777-5557
 www.ReallyRightStuff.com

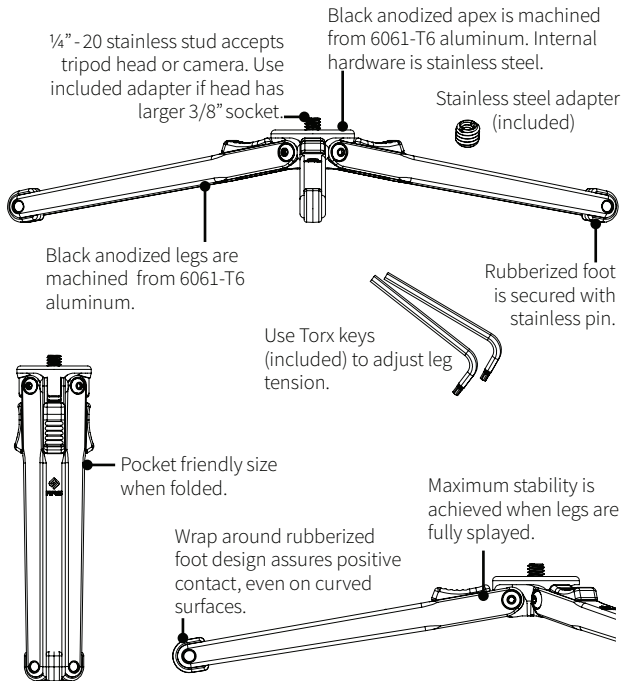
TFA-01 ULTRA POCKET 'POD



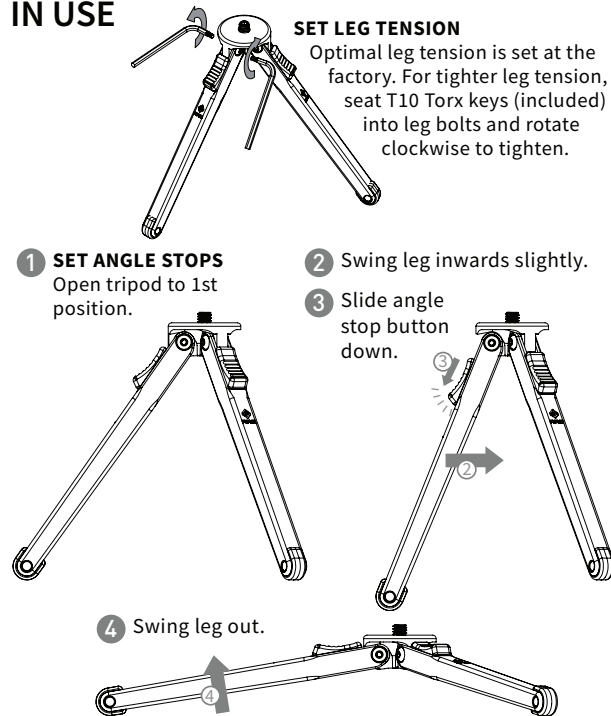
Specifications

Leg Positions (3)1 st angle stop, 2 nd angle stop, fully splayed
Load Capacity 15 lbs / 6.8kg
Platform Diameter1.3" / 34mm
Stud 1/4"-20 with 3/8"-16 Adapter
Folded Length with Stud5.8" / 147mm
Height at 1 st Angle Stop4.7" / 119mm
Height at 2 nd Angle Stop3.3" / 84mm
Height Fully Splayed1.5" / 37mm
Weight 4.8 oz / 135g

KEY FEATURES



IN USE



MAINTENANCE

General Care

The TFA-01 Ultra tripod is finished with a protective anodize plating that protects the aluminum from corrosion and mild abrasion. It will not protect it from scraping against or dropping on rocks/concrete/etc. Do NOT attempt to remove the legs from the apex.

Cleaning

Take precautions to prevent your TFA-01 Ultra from getting fouled. Remember that sand and saltwater are your tripod's worst environmental enemies. Always clean your tripod after exposure. Dry dust and dirt can be blown off and/or wiped off with a soft cloth. Lightly rinse off mud or salt water with fresh water then wipe dry.

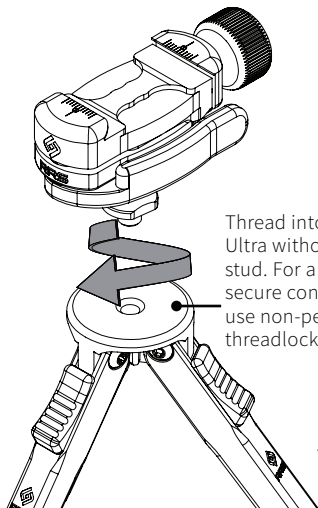
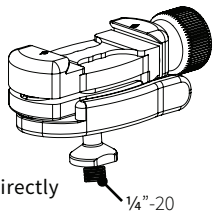
GUARANTEE

ALL REALLY RIGHT STUFF BRAND PRODUCTS ARE GUARANTEED TO THE ORIGINAL PURCHASER TO BE FREE OF DEFECTS IN MATERIALS OR WORKMANSHIP FOR FIVE (5) YEARS FROM THE DATE OF PURCHASE. PRODUCTS WILL BE REPAIRED OR REPLACED AT OUR OPTION.

®, ™, © 1990-2016 Really Right Stuff, LLC. All rights reserved.

INSTALL BC-18

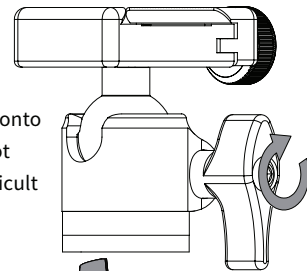
The RRS BC-18 Ball Clamp comes pre-threaded with ¼"-20 stud. Therefore the stud that normally comes installed in the TFA-01 Ultra is not needed. Thread BC-18 directly into the platform of the TFA-01 Ultra.



*Available in single application tubes from RRS.

INSTALL BALLHEAD

1. If tripod head has Panning Base, tighten prior to installing. If mounting the BH-25, tighten the Main Lock T-Lever.
2. Install adapter if needed, then screw head onto the threaded stud on the top of the tripod. Tighten head onto the tripod snugly, but do not over-torque or it will be difficult to remove.



If tripod head socket is bigger than tripod stud, thread included adapter onto stud. Secure adapter to stud with non-permanent threadlocker fluid* (recommended).

*Available in single application tubes from RRS.